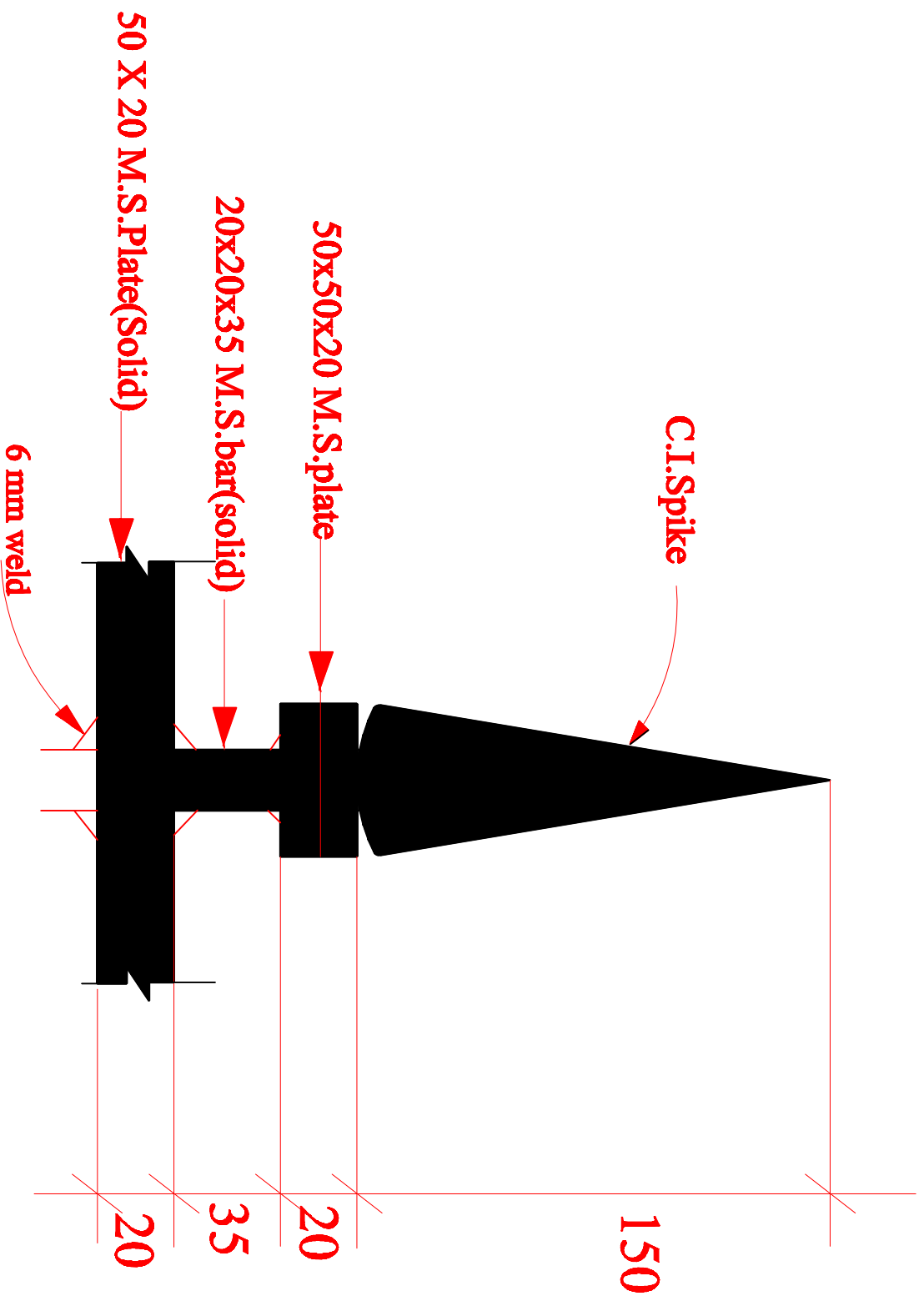


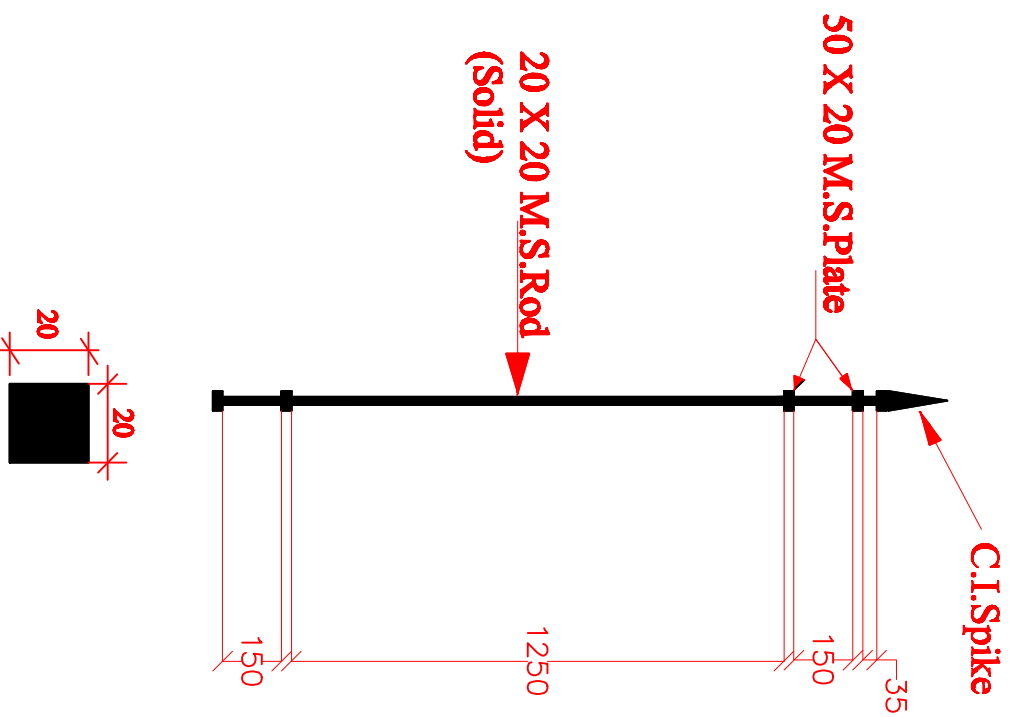
All dimensions are in mm

Compound and Fencing work for Plot-12A and 12B

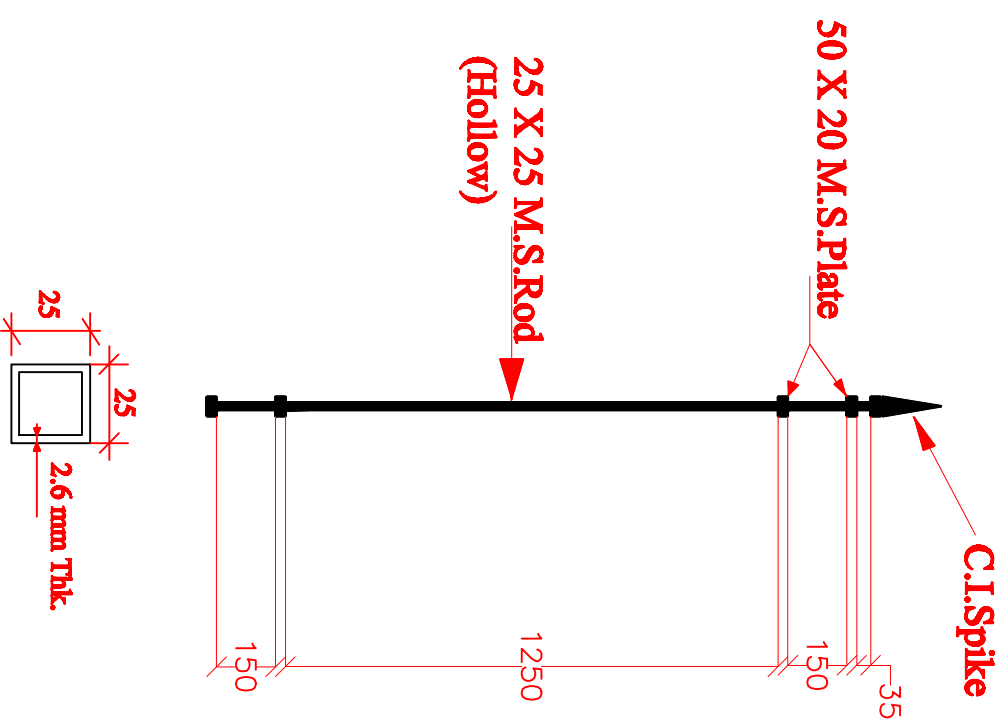


All dimensions are in mm

Details at C (M.S. Spike)



Option :-1) Solid Section



Option :-2) Hollow Section

Fabrication work of vertical rod

Fencing work for Plot-12A and 12B